

LRS-35

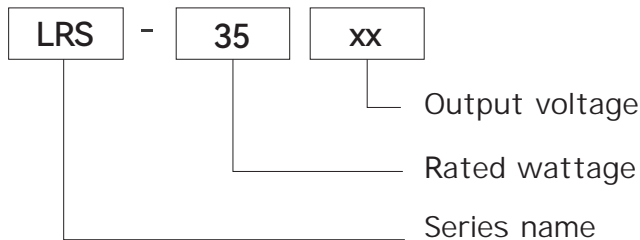
- product category: 35w single output power supply
- version No: ZTAO3.0
- release date: May 1st, 2025



Description

International full-range AC input, no-load power consumption <0.9W, small size 1U low appearance, protection types: short circuit/overload/overcurrent protection, natural air cooling, power start LED indicator light, 100% full-load burn-in test, 3-year warranty.

Model Encoding



Features

- International full-range AC input
- no-load power consumption <0.9W
- small size 1U low appearance
- protection types: short circuit/overload/overvoltage
- air cooling
- power start LED indicatorlight
- 100% full-load burn-in test
- 3 years warranty



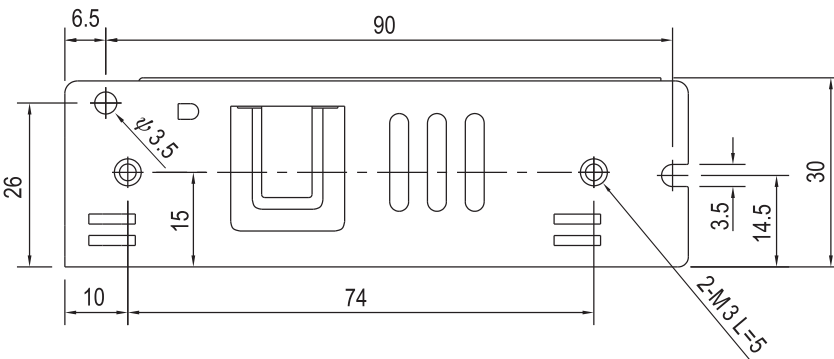
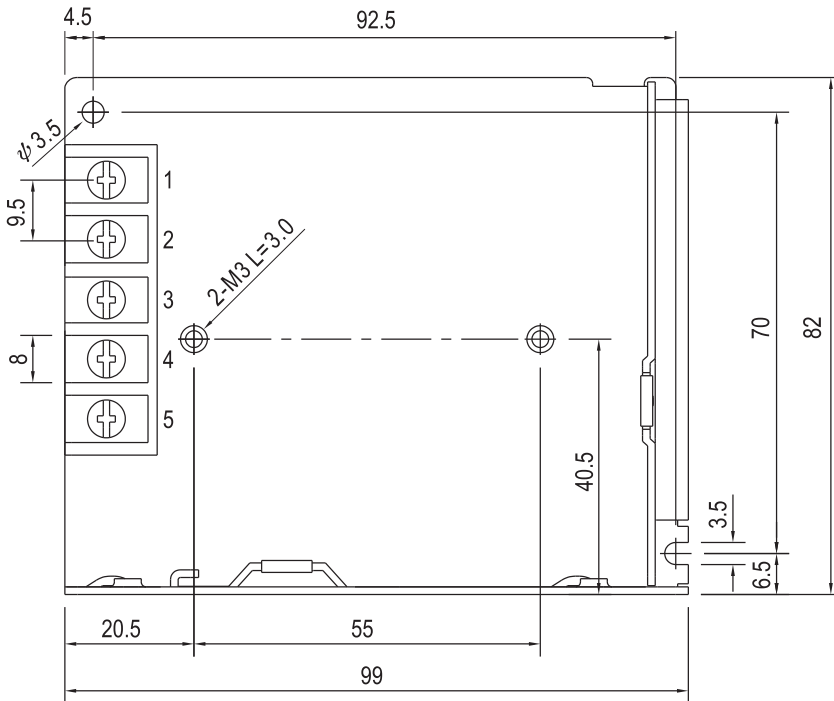
Application

Industrial control, mechanical and electrical, electronic instruments, industrial automation, electronic equipment, semiconductor equipment, etc. (excluding information technology equipment)

Model specification

Model		LRS-35-5	LRS-35-12	LRS-35-15	LRS-35-24	LRS-35-36	LRS-35-48
Output	DC Voltage	5V	12V	15V	24V	36V	48V
	Rated Current	7A	3A	3.4A	1.5A	1A	0.8A
	Current Range	0~7A	0~3A	0~3.4A	0~1.5A	0~1A	0~0.8A
	Rated Power	35W	36W	36W	36W	36W	38.4W
	Ripple&Noise(max.)	80mVp-p	100mVp-p	100mVp-p	120mVp-p	150mVp-p	150mVp-p
	Voltage ADJ. Range	4.5~5.5V	10.2~13.8V	13.5~16.5V	21.6~26.4V	32.4~39.6V	43.2~52.8V
	Voltage Tolerance	±1%	±1%	±1%	±1%	±1%	±1%
	Line Regulation	±0.5%	±0.5%	±0.5%	±0.5%	±0.5%	±0.5%
	Load	±0.5%	±0.5%	±0.5%	±0.5%	±0.5%	±0.5%
	Setup,Rise time	1000ms,30ms/230VAC 2000ms,30ms/115VAC at full load					
	Hold up time	30mS/230VAC; 12mS/115VAC at full load					
Input	Voltage Range	90~264VAC	127~370VDC				
	Frequency Range	50~60HZ					
	Efficiency	84%	86%	86%	89%	89%	90%
	AC Current	0.95A/115VAC 0.56A/230VAC					
	Inrush Current	< 1mA/240VAC					
Protection	Overload	125~150% rated output power Hiccup protection, Recovers automatically after fault condition is removed					
	Over Voltage	5.9~7.3V	13.8~16.2V	18.7~21.7V	28.8~33.6V	41.4~48.6V	55.2~64.8V
Environment	Working Temp.	-20°C ~+65°C					
	Working Humidity	20~90% RH non-condensing					
	Storage Temp.,Humidity	-40~+80°C 10~95% RH non-condensing					
	Vibration	10~500HZ, 5G 10min/1cycle, period for 60min, each along X、Y、Z axes					
Safety	Withstand Voltage	I / P - O / P :1.5KVAC; I / P - F G :1.5KVAC; O / P - F G :500VAC					
	Isolation Resistance	I/P-O/P、I/P-FG、O/P-FG:100 Ohms/500VDC/25°C /70%RH					
Others	Dimension	99*82*30mm (L*W*H)					
	Packing	0.2kg/pcs					
Note		<p>1. All parameters Not specially mentioned are measured at 230VAC input,rated load and 25°C of ambient temperature,</p> <p>2. Ripple & noise are measured at 20MHz of bandwidth by using a 12" twisted pair-wire terminated with a 0.1uf & 47uf parallel capacitor.</p> <p>3. Tolerance : includes set up tolerance, line regulation and load regulation.</p> <p>4. Line regulation is measured from low line to high line at rated load.</p> <p>5. Load regulation is measured from 0% to 100% rated load.</p> <p>6. Length of set up time is measured at cold first start. Turning ON/OFF the power supply very quickly may lead to increase of the set up time.</p> <p>7.Theambient temperaturederating of 5/1000m is needed for operating altitude greater than 2000m (6500ft).</p>					

Mechanical Specification and Installation(mm)



Terminal Pin No. Assignment

Pin No.	Assignment	Pin No.	Assignment
1	AC/L	4	DC OUTPUT -V
2	AC/N	5	DC OUTPUT +V
3	FG =		

Pin	Function	
L	AC LINE	screw: M4*9.5 TF: 22Kgf.cn(2.2N.m)
N	AC NETURAL	
⊖	EARTH	
-Vo	DC output -	螺丝: M4*9.5 扭力: 22Kgf.cn (2.2N.m)
+Vo	DC output +	

8-M4 客户系统安装孔

安装螺丝: M4

安装扭力: 8Kgf.cn (0.8N.m)

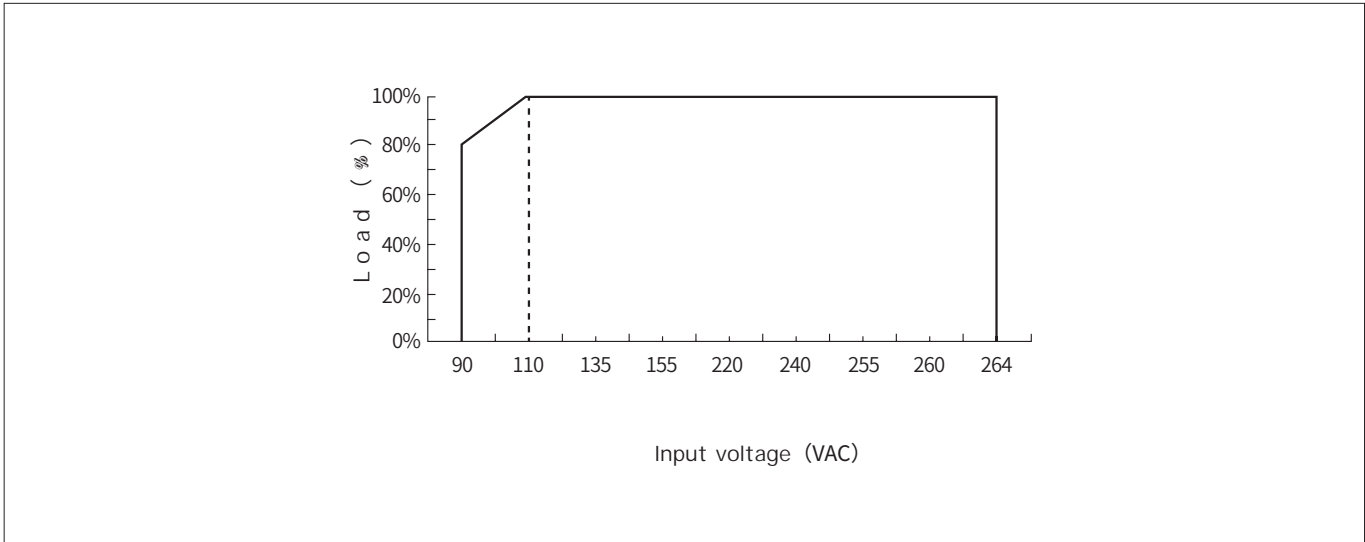
螺丝伸入机壳不大于 3mm

备注:

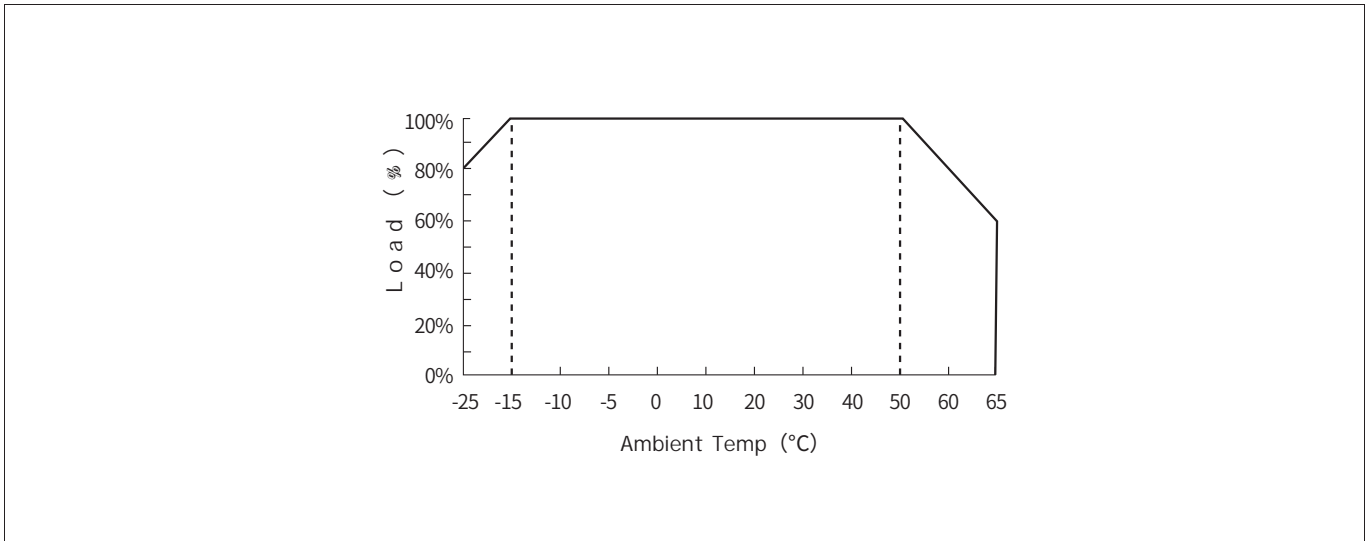
单位: mm[inch]; 未标注公差为 ±0.5[±0.020]

characteristic curve

Input voltage VS Output load



AMBIENT TEMPERATURE VS Output Load



Notes:

- 1.If you need to know more detailed test data when applying, please contact our technical support to obtain the application notes of the corresponding product.
- 2.This product is suitable for use in a natural air convection environment. If it is to be used in a closed environment, please contact our technical support personnel.