

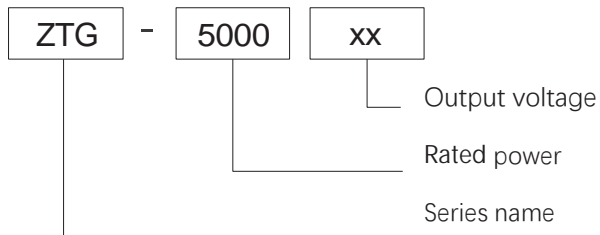
# ZTG-5000

- Product Category: 5000W Single Output switching Power Supply
- Version No.: ZTAO3.0
- Release date: 1st May 2025

## product overview

ZTG-5000-XX series products is a 5000W chassis-type industrial power supply, the output voltage includes 12V/24V/36V/48V/72V/110V/220V, etc., can be adapted to different load application requirements to meet the needs of most industrial applications, built-in multi-functional such as output voltage, output current, remote on/off control, 485 communication control auxiliary power supply and other functions to provide a variety of design flexibility, fan cooling, as well as a full range of protections, to ensure that this series of products of high reliability and high stability.

## Model encoding



## product characteristics

- AC input range 180~264VAC
- Type of protection: short circuit/overload/over temperature
- remote on/off control
- fan cooling
- Power on LED indicator
- 100% full load burn-in test
- 3-year warranty



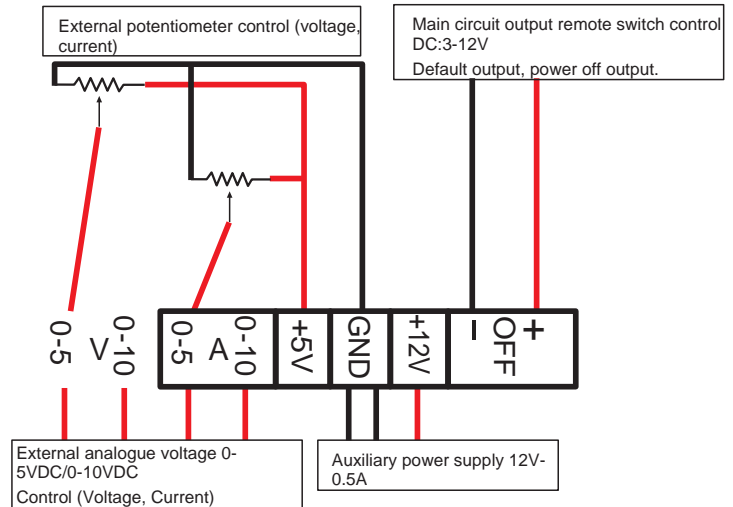
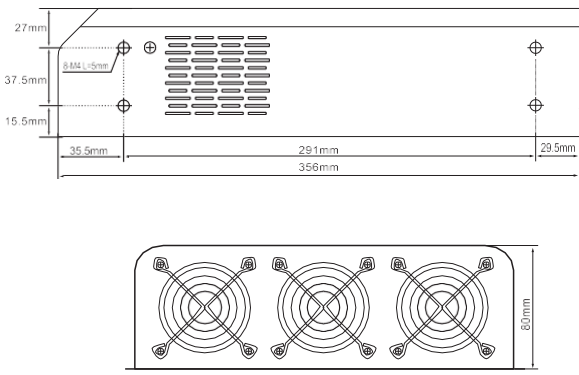
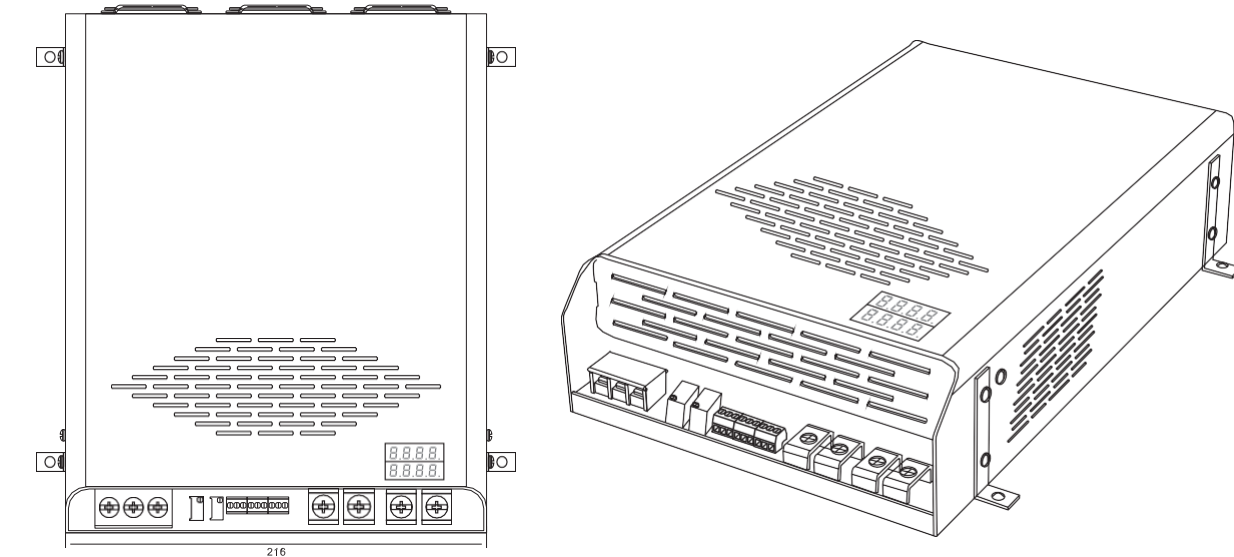
## areas of application

Industrial control, mechanical and electrical, electronic instruments, industrial automation, electronic equipment, UV curing equipment, semiconductor equipment, etc. (except information technology equipment)

electrical specifications

Model		ZTG-5000-12	ZTG-5000-24	ZTG-5000-36	ZTG-5000-48	ZTG-5000-72	ZTG-5000-110	ZTG-5000-220	
Output	DC output voltage	12V	24V	36V	48V	72V	110V	220V	
	Rated current	333A	208A	138.8A	104A	69A	45A	22.7A	
	Current range	0~333A	0~208A	0~138.8A	0~104A	0~69A	0~45A	0~22.7A	
	Rated power	3996W	4992W	4996.8W	4992W	4968W	4950W	4994W	
	Ripple & Noise (Max)	250mVp-p	270mVp-p	300mVp-p	400mVp-p	500mVp-p	850mVp-p	1000mVp-p	
	Output Voltage Adjustment	0~13.2V	0~26.4V	0~39.6V	0~52.8V	0~79.2V	0~121V	0~242V	
	voltage accuracy	±1%	±1%	±1%	±1%	±1%	±1%	±1%	
	Linear adjustment rate	±1%	±1%	±1%	±1%	±1%	±1%	±1%	
	Load Adjustment Ratio	±1%	±1%	±1%	±1%	±1%	±1%	±1%	
	start-up & rise time	1500ms,100ms/230VAC (at full load)							
Input	Input Voltage	180~264VAC							
	Input frequency	45~65HZ							
	Efficiency	83%	86%	87%	89%	90%	90%	91%	
	Input current	55A/230VAC							
	Leakage current	< 3.0mA/240VAC							
Protection	short-circuit protected	Protection mode: constant current limitation, restart recovery after removal of abnormal conditions							
	Over temperature	Turn off the output voltage, and recover automatically when the temperature drops or restart to recover							
Function	constant current optimum range	6~12V	12~24V	18~36V	24~48V	36~72V	55~110V	110~220V	
	External potentiometer	External potentiometer control (voltage, current)							
	analogue signal control	0~5V/0~10V,0~5A/0~10A control(voltage,current)							
	Auxiliary power supply	12V 0.5A							
	Remote on/off control	Default power on, high level power off (3~12V)							
	Fan On/Off Control (Typ.)	The fan's spinning straight up							
Environment	Operating temperature	-20°C ~+60°C							
	Operating humidity	20~90%RH No condensation							
	Storage temperature/humidity	-40~+80°C 10~95%RH, no condensation							
Security	Vibration-resistant pressure resistance	10~500HZ, 5G 10 min/cycle, X, Y, Z 60 min each							
	Insulation impedance	Input to Output :1.5KVAC; Input to Ground :1.5KVAC; Output to Ground :500VAC							
	Product dimensions	Input to Output, Input to Ground, Output to Ground :100 Ohms/500VDC/25°C /70%RH							
Others	Packaging	355*215*80mm (L*W*H)							
	Remarks	<p>6.5kg/pcs</p> <ol style="list-style-type: none"> <li>All parameters are measured at 230VAC input, rated load and 25°C when not otherwise specified.</li> <li>Ripple and noise voltages were measured on a 20MHz bandwidth oscilloscope with 0.1μ and 47μ capacitors at the end of a 12-inch twisted pair cable, measured at 20MHz bandwidth.</li> <li>Accuracy: Includes setting error, linear adjustment ratio and load adjustment ratio.</li> <li>Linear Adjustment Ratio Measurement Method: Test from low voltage to high voltage at rated load</li> <li>Load Adjustment Ratio Measurement Method: From 0% to 100% of rated load</li> <li>Start-up time is measured at cold start, fast and frequent switching on and off may increase the start-up time.</li> <li>When operating at altitudes higher than 2000 metres (6500ft): the operating environment needs to be reduced by 5°C / 1000 metres</li> </ol>							

Outline and Mounting Dimensions (mm)

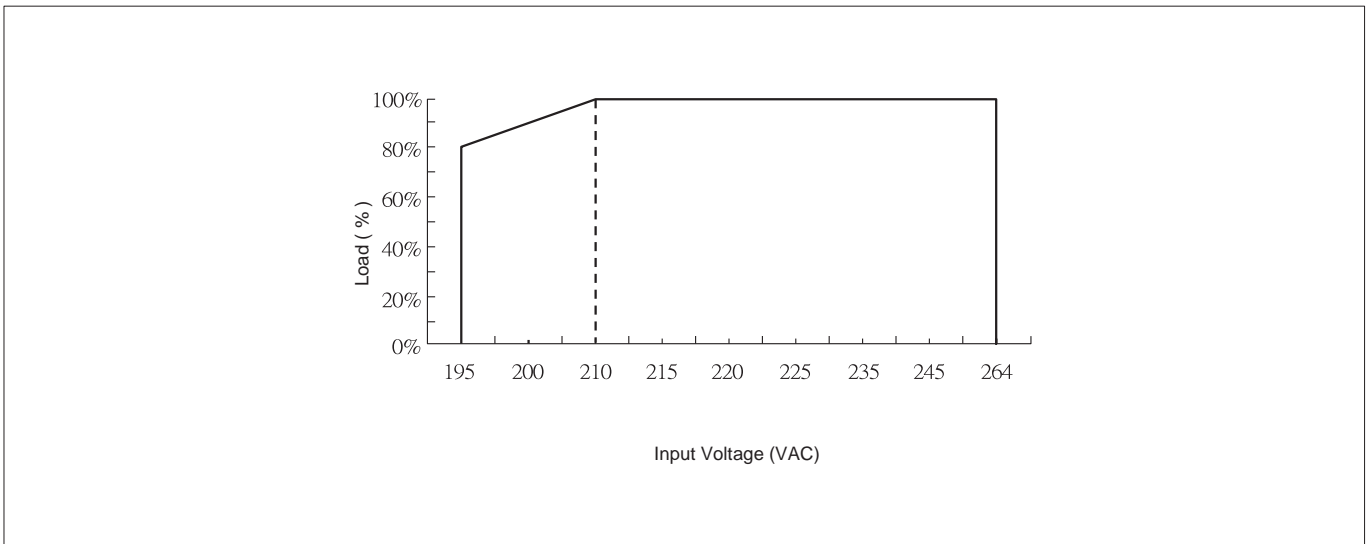


Pinout	Function	
L	AC LINE	Screw:M4*11 Torque:22Kgf.cn( 2.2N.m)
N	AC NETURAL	
⊕	EARTH	
-Vo	DC output -	Screw:M6*14 Torque:30Kgf.cn(3.0N.m)
-Vo	DC output -	
+Vo	DC output +	
+Vo	DC output +	

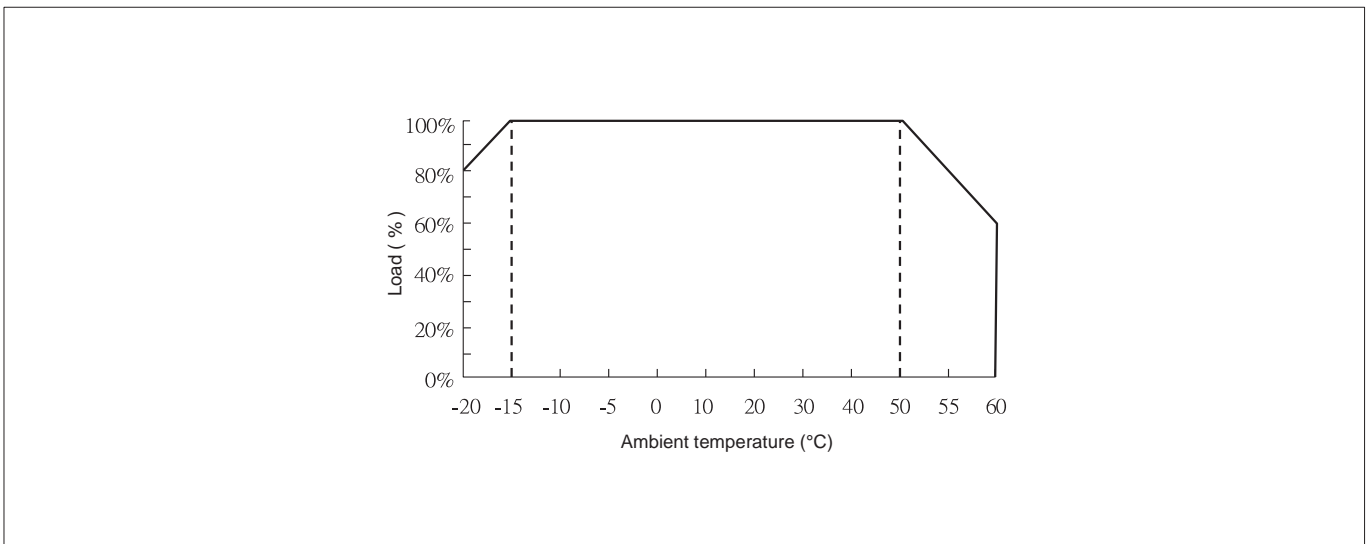
8-M4 Customer system mounting holes  
mounting screws: M4  
Installation torque: 8Kgf.cn (0.8N.m) screws into the housing is not more than 3mm  
Remarks:  
Unit: mm [inch]; unlabelled tolerances are ±0.5 [±0.020].

characteristic curve

Input Voltage VS Output Load



Ambient Temperature VS Output Load



Remarks:

- 1.If you need to know more detailed test data, please contact our technical support to get the application notes of the corresponding products.
- 2.This product is suitable for use in a natural air convection environment, if used in a closed environment, please contact our technical support staff.